

# 6CXBM-GT

MARINE  
PROPULSION  
DIESEL ENGINE

**L-rating** 341kW (464mhp)  
**S-rating** 374kW (509mhp) (For planing hull)

# YANMAR



- 6-cylinder, direct injection, heat exchanger cooling.
- Turbocharger + intercooler.
- Available either with marine gear or without marine gear.
- 4-valves per cylinder for higher combustion efficiency.
- Conform to IMO Tier II emissions regulations.

## Specifications

Model	6CXBM-GT	
Number of cylinders	6 in-line	
Bore × stroke	mm	110 × 130
Displacement	lit.	7.413
Rated output	kWhp/rpm	L : 341(464)/2700
		S : 374(509)/2700
Combustion system	Direct injection	
Aspiration	Turbocharger + intercooler	
Starting system	Electric starting motor (24V 5.0kW)	
Cooling system	Heat exchanger	
Size of flywheel housing and flywheel	SAE #3 and 11-1/2 in.	
Dry mass (without marine gear)	kg	856
Dimensions (L×W×H)	mm	1390×901×989

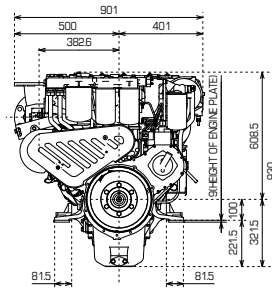
## Marine gear specifications

Engine model : 6CXBM-GT		
Model	YX-75	
Type	Hydraulic multi-disc clutch, wet type	
Reduction ratio (Ahead)	2.07	2.58 2.91
Direction of rotation (propeller shaft)	Clockwise or counter-clockwise viewed from stern	
Dry weight	kg	204

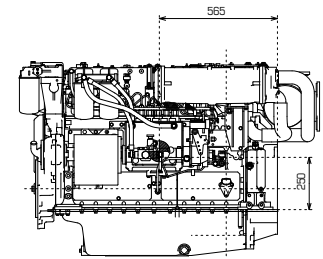
## Dimensions Unit:mm

with optional shallow oil sump

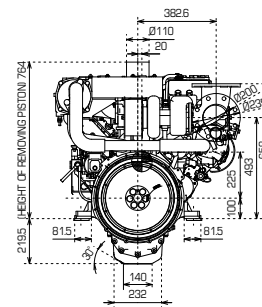
Engine only / Front view



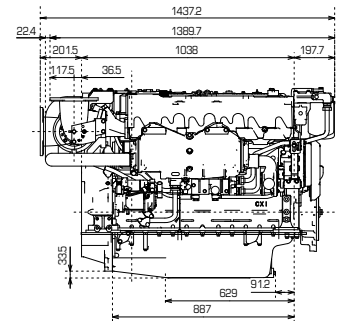
Engine only / Left side view



Engine only / Rear view

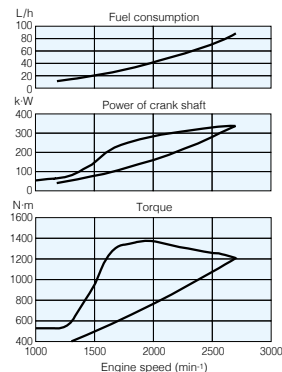


Engine only / Right side view



## Performance curves

L-rating



S-rating

