

6HAL2 series

YANMAR

MARINE
AUXILIARY
DIESEL ENGINE

122~414hp / 1200~1800rpm
100~350kVA (80~280kW)



- 6-cylinder, direct injection.
- Natural aspirated or turbocharged. (with intercooler)
- 6HAL2-WT, 6HAL2-WHT and 6HAL2-WDT conform to IMO Tier II emissions regulations.

Specifications

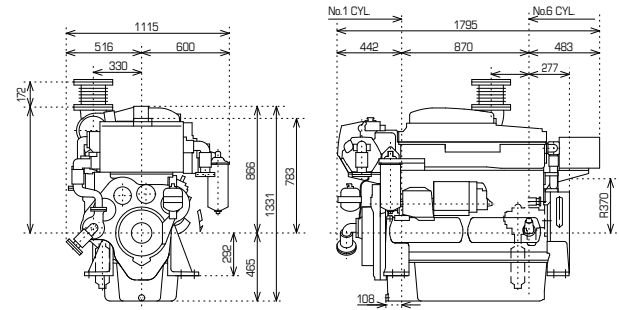
Model	6HAL2-N	6HAL2-TN	6HAL2-WT	6HAL2-WHT	6HAL2-WDT
Number of cylinders	In-line 6				
Bore × stroke	mm 130 × 165				
Displacement	lit. 13.14				
Continuous rated engine speed	rpm 1200 1500	1200	1500 1800	1200 1500 1800	1200 1500 1800
Continuous rated output	hp 122 156	163	204 244	217 299 360	271 346 414
Applicable generator capacity	kVA(kW) 100 125	130	170 200	180 250 300	225 290 350
	(80) (100)	(104)	(136) (160)	(144) (200) (240)	(180) (232) (280)
Frequency	Hz 60 50	60	50 60	60 50 60	60 50 60
Combustion system	Direct injection				
Aspiration	Natural aspiration	Exhaust Turbocharger	Exhaust Turbocharger with intercooler		
Dry weight (Engine only)	kg 1380	1422	1437	1447	
Dry weight (Gen. set)	kg 2360	2410	2750	2850	

Dimensions Unit:mm

Engine only (6HAL2-TN, -WT, -WHT, -WDT)

Front view

Left side view

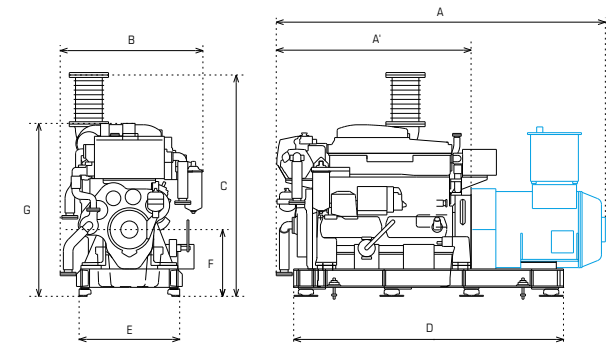


Generator set dimensions for your reference Unit:mm

Generator set dimensions shown below depend on generator model

Front view

Left side view



G: Minimum Height for Removing Piston (Not included the dimension for bolt fitting to piston remove.)

Model	A	A'	B	C	D	E	F	G
6HAL2-N	2499	1589	1164	1654	2100	820	544	1327
6HAL2-TN	2499	1589	1164	1774	2100	820	544	1327
6HAL2-WT	2499	1589	1164	1774	2100	820	544	1327
6HAL2-WHT	2574	1589	1164	1804	2200	820	544	1327
6HAL2-WDT	2684	1589	1164	1804	2200	820	544	1327

— Generator