

6AYL series

MARINE
AUXILIARY
DIESEL ENGINE

480~668hp / 1500~1800rpm
400~562.5kVA (320~450kW)

YANMAR



- 6-cylinder, direct injection.
- Turbocharged with intercooler.
- Conform to IMO Tier II emissions regulations.

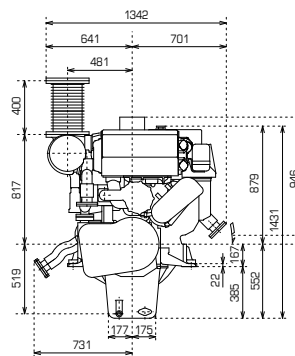
Specifications

Model	6AYL-WST	6AYL-WET	
Number of cylinders	In-line 6		
Bore × stroke	mm 155 × 180		
Displacement	lit. 20.379		
Continuous rated engine speed	rpm 1800	1500	1800
Continuous rated output	hp 480	596	668
Applicable generator capacity	kVA(kW) 400(320)	500(400)	562.5(450)
Frequency	Hz 60	50	60
Combustion system	Direct injection		
Aspiration	Exhaust Turbocharger with intercooler		
Dry weight (Engine only)	kg 2475		
Dry weight (Gen. set)	kg 4600	4750	

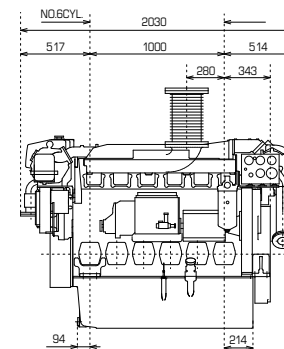
Dimensions Unit:mm

Engine only

Front view



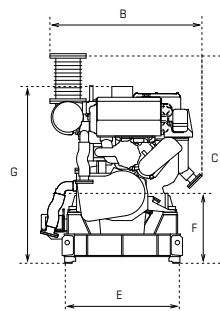
Left side view



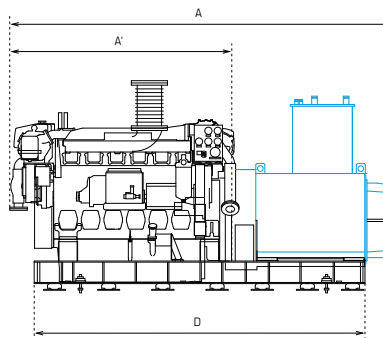
Generator set dimensions for your reference Unit:mm

Generator set dimensions shown below depend on generator model

Front view



Left side view



G : Minimum Height for Removing Piston (Not included the dimension for bolt fitting to piston remove.)

Model	A	A'	B	C	D	E	F	G
6AYL-WST	2970	1860	1445	1836	2540	1030	619	1565
6AYL-WET	3040	1860	1445	1836	2600	1030	619	1565

— Generator